



TriStile RO

Tripod Turnstile for Internal Installation (*)

Tripod Turnstiles are entrance solutions designed for smooth and silent operation, less wear and tear and reduced power consumption, suitable for areas where there is a large flow of people.

TriStile RO has an elegant casework with rounded ends, ideal where design and customization is important. A selection of wooden and stone lids is available on demand alongside the full stainless steel offering.

On receiving a signal from the access control system, or push button, allows the passage of one person at a time. The status is shown on the led-way mode indicators, in entry and exit side.

Passage in both directions is electronically controlled. Available in Normally Closed (N/C) configuration to lock the mechanism until a valid authorisation signal is received, or available in Normally Open (N/O) configuration to lock the mechanism in the event of attempted unauthorised entry. The N/O configuration allows also reduced power consumption and increases the life of the mechanism and passage through put speed. In case of emergency the hub freely rotates for an easier exit. You can also choose the drop arm option which automatically drops the horizontal arm to allow free passage. Led way mode indicators included as standard. (*)External installation allowed with stainless steel top lid under canopy



TriStile RO

Technical Specifications

Drive

Hand-operated

Materials

Casework: 304 grade grained stainless steel
 Casework lid: 304 grade grained stainless steel
 Tripod hub: Cast aluminum with painted grey finish
 Tripod arms: 38mm diameter 480mm 304 polished stainless steel

Mechanism

Electro-mechanical head mechanism:

- Positive locking action for one passage at a time
- Self-centering mechanism to ensure complete rotation to the home position
- Hydraulic damper to ensure smooth operation
- Anti-backup device to prevent reverse rotation once the mechanism has moved 60° from home

Power Failure / Fire Alarm

Either one or both directions can be fail-safe (standard), i.e. rotates freely, or fail lock, i.e. locks in the home position

Fire alarm – emergency input. Input facility available for free voltage contact to effect fail state

Mechanism fail state will be the same as power failure choice

Drop arm option: the horizontal arm drops to create a clear passage for evacuation

Interface

LL2001Lite microprocessor control logic:

- One input for opening/locking in each direction
- Two protected outputs controlling opening/locking
- Four protected outputs piloting way mode indicators
- Two protected outputs counting passage in either directions
- Two 0V output relays indicating availability of use or counting passage in either direction
- Two open collector NPN outputs to count passage or to indicate availability of use in either direction or activate the optional drop arm feature
- Serial Port – RS485

Power Supply / Power Rating

230Vac 50Hz or 115Vac 60Hz. Power Rating 50VA (stand by 5VA if Normally Open)

Operating Temperature / IP Rating / MCBF / MTTR

0 to +45°C (RH 95% not condensing) / IP 20 / 1.5M cycles (2.5M if Normally Open) / less than 30min

Flow Rates (approximate figures)

Insertion Type Reader: 20 passages per minute

Swipe Type Reader: 30 passages per minute

Proximity Reader “Hands Free”: 40 passages per minute

Options

- Card reader mounting
- Remote control MP2000
- Push button control
- Pictograms
- LCD counter
- Stone and wooden lids
- Drop arm
- Apron infill (glass or steel)

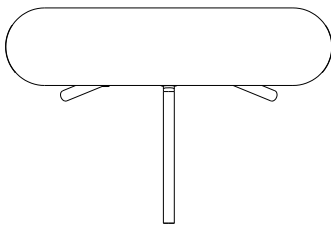
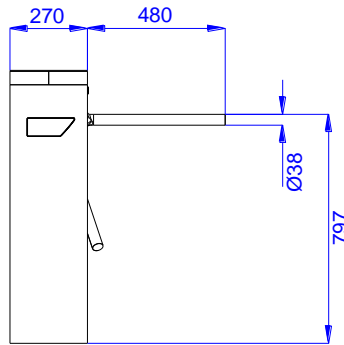
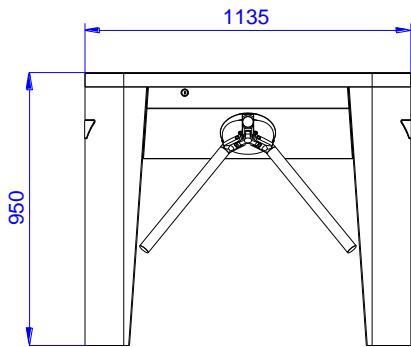
Applications

- Government
- Retail
- Finance
- Telecommunications
- IT
- Banking
- Publishing
- Leisure
- Petrochemical
- Education

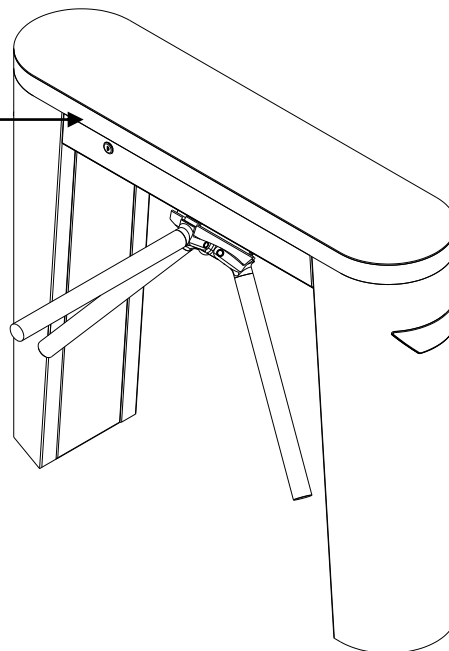
TriStile RO

Site Preparation

Product delivered fully assembled and may require lifting equipment. Approx. weight: 50Kg
 (For installation details, please refer to the proper installation layout drawings)



Stone, wooden or stainless steel top selection available



Concrete Base to specification at least (cube) 300N/mm² of resistance. Base to be flat and level to +/- 5mm over footprint area
 Dimensions to be > 1200 x 500 x 150 deep min (units in mm)

TriStile RO

Important

- Any horizontal pipe or conduit running below the Tripod Turnstile must be at least 140mm below FFL
- Metal conduit for cables should be raised at least 50mm from foundation
- It is the customer's responsibility to ensure the structural integrity and strength of the installation location
- The dimensions given in this Product Data Sheet are for information only. In order to prepare the installation site, please refer to your usual Gunnebo Customer Service contact

For further information please contact:

Gunnebo UK Ltd
Pendeford Business Park
Wobaston Road
Wolverhampton
West Midlands WV9 5HA

Tel +44 (0) 1902 455 111
Fax +44 (0) 1902 351 961
Web www.gunnebo.co.uk



In pursuit of its policy of continuous refinement and improvement, Gunnebo Entrance Control reserves the right to modify design and details given in this material at any time and without notice. Images shown in this material are examples of installations and may not be indicative of a standard product.